

# Water Castle

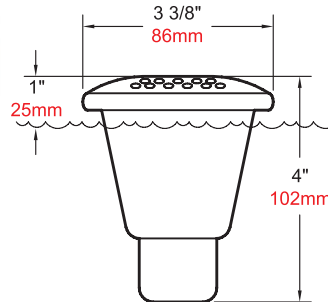
**Water Effect:** Creates a "fleur-de-lis" type effect.



**Performance Characteristics:** The Water Castle uses multiple solid stream nozzles aligned to create the effect. Use of an in-line Y-strainer is recommended to reduce maintenance.



**N-20**



- **Water Level Dependent** - No
- **Wind Resistance** - Fair
- **Sound Level** - Moderate
- **Clogging Potential** - Moderate
- **Splash Radius** - 1.5

**Material:** Machined cast bronze

**Finish:** Natural bronze

**Nozzles:** One .141" and thirty .109" orifices.

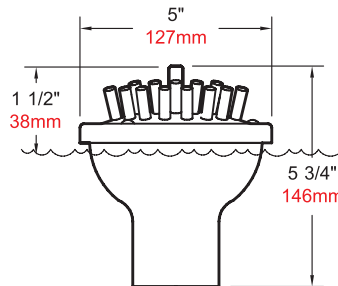
Model Number	NPT <sup>1</sup>	Feet Meters	Spray Height				
			3	4	5	6	8
N-20	3/4"	GPM	11	12	13	14	17
		Head Ft.	6	6.5	7	8	10
		Spread - Ft.	2	2.5	3	4	5
		LPM	42	46	50	53	65
		Bar	.179	.194	.209	.239	.299
		Spread - m	.61	.76	.91	1.22	1.52

Highlighted values denote optimum performance.

1. To specify British Standard Pipe Threads, add suffix **-BSP** to Catalog Number



**N-25**



- **Water Level Dependent** - No
- **Wind Resistance** - Fair
- **Sound Level** - Moderate
- **Clogging Potential** - Moderate
- **Splash Radius** - 1.5

**Material:** Machined cast bronze and brass

**Finish:** Natural bronze and brass

**Nozzles:** One .269" and twenty-seven .214" orifices.

Model Number	NPT <sup>1</sup>	Feet Meters	Spray Height						
			4	5	6	8	10	12	14
N-25	1 1/2"	GPM	30	35	40	51	57	66	70
		Head Ft.	5	6	7	10	13	17	20
		Spread - Ft.	2	3	4	5	6	7	8
		LPM	114	133	152	194	216	250	265
		Bar	.150	.179	.209	.299	.389	.508	.598
		Spread - m	.61	.91	1.22	1.52	1.83	2.13	2.44

Highlighted values denote optimum performance.

1. To specify British Standard Pipe Threads, add suffix **-BSP** to Catalog Number

Speaking the language of water.™

