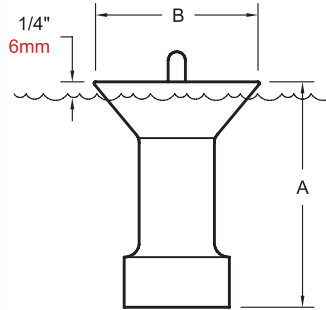
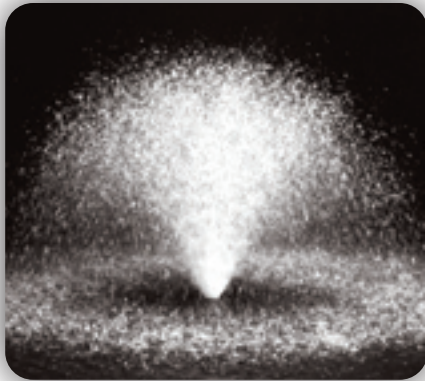


Snowball™

Water Effect: Creates a hemisphere of water droplets.

Performance Characteristics: The Snowball™ is a water level independent effect that is subject to wind. A wind control device is recommended (see pg. 87).



- **Water Level Dependent** - No
- **Wind Resistance** - Fair-Good
- **Sound Level** - High
- **Clogging Potential** - Low
- **Splash Radius** - 2.0

Material: Machined cast bronze and brass

Finish: Natural bronze and brass

Model Number	Feet Meters	Spray Height							
		2	3	4	5	6	7	8	
NS-150	GPM	73	80	100	115	120			
	Head Ft.	4	6	9	11	13			
	Spread - Ft.	4	6	8	10	12			
	LPM	277	303	379	436	455			
	Bar	.120	.179	.269	.329	.389			
	Spread - m	1.22	1.83	2.44	3.05	3.66			
NS-200	GPM		105	115	125	140	150	160	
	Head Ft.		9	11	13	15	17	19	
	Spread - Ft.		7	9	11	14	15	16	
	LPM		398	436	474	530	568	606	
	Bar		.269	.329	.389	.448	.508	.568	
	Spread - m		2.13	2.74	3.35	4.27	4.57	4.88	

Highlighted values denote optimum performance.

Model Number	NPT Inlet ¹	Dimensions			
		A Inches	B Inches	A mm	B mm
NS-150	1½"	4½	3¾	114	86
NS-200	2"	6	4¾	152	105

1. To specify British Standard Pipe Threads, add suffix **-BSP** to Catalog Number

Speaking the language of water.™

