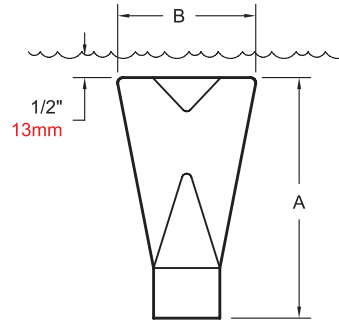
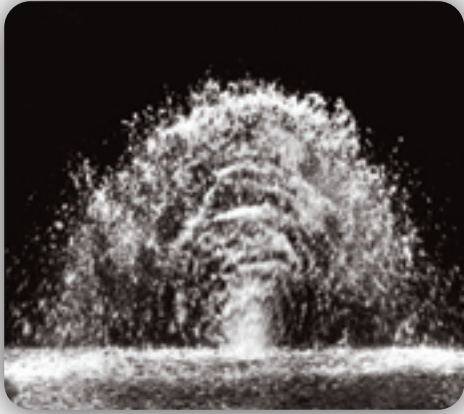


# Peacock™

**Water Effect:** Creates a unique fan shaped water effect which is similar in shape to a peacock's tail.

**Performance Characteristics:** The Peacock™ is a water level dependent effect that requires a constant water level for proper operation. A wind control device may be required (see pg. 87).



- **Water Level Dependent** - Yes
- **Wind Resistance** - Fair-Good
- **Sound Level** - High
- **Clogging Potential** - Low
- **Splash Radius** - 2.0

**Material:** Machined cast bronze

**Finish:** Natural bronze

Model Number	Feet Meters	Spray Height						
		3	4	5	6	8	10	12
NP-100	GPM	42	52	56	62	76		
	Head Ft.	4	5	7	9	13		
	Spread - Ft.	3	4	5	7	10		
	Thickness - Ft.	1	1.2	1.4	1.5	2		
	LPM	159	197	212	235	288		
	Bar	.120	.150	.209	.269	.389		
	Spread - m	.91	1.22	1.52	2.13	3.05		
	Thickness - m	.30	.37	.43	.46	.61		
NP-125	GPM		80	95	100	115	130	140
	Head Ft.		5	7	8	12	14	19
	Spread - Ft.		4	5	6	10	12	18
	Thickness - Ft.		1.5	1.7	2	2.5	3	3.5
	LPM		303	360	379	436	493	530
	Bar		.150	.209	.239	.359	.419	.568
	Spread - m		1.22	1.52	1.83	3.05	3.66	5.49
	Thickness - m		.46	.52	.61	.76	.91	1.07
NP-200	GPM				155	175	195	220
	Head Ft.				8	12	14	18
	Spread - Ft.				12	16	20	22
	Thickness - Ft.				2.5	3	3.5	4
	LPM				587	663	739	833
	Bar				.239	.359	.419	.538
	Spread - m				3.66	4.88	6.10	6.71
	Thickness - m				.76	.91	1.07	1.22

Highlighted values denote optimum performance.

Model Number	NPT <sup>1</sup>	Dimensions			
		A	B	A	B
		Inches	Inches	mm	mm
NP-100	1"	6	3 <sup>1</sup> / <sub>4</sub>	152	83
NP-125	1 <sup>1</sup> / <sub>4</sub> "	7	4 <sup>1</sup> / <sub>4</sub>	178	108
NP-200	2"	9 <sup>3</sup> / <sub>8</sub>	5 <sup>3</sup> / <sub>4</sub>	238	146

1. To specify British Standard Pipe Threads, add suffix **-BSP** to Catalog Number

Speaking the language of water.™

