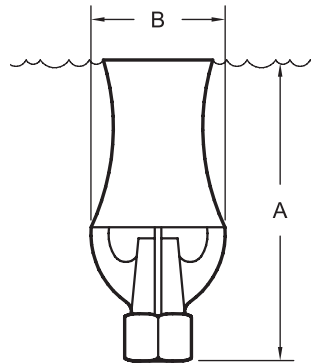


# Geyser

**Water Effect:** Creates a highly aerated “pine tree” shaped geyser of water.

**Performance Characteristics:** The Geyser is a water level dependent effect that is subject to creating wave action in a pool. When used in smaller or symmetrical pools, a wave baffle is recommended (see pg. 82).



- **Water Level Dependent** - Yes
- **Wind Resistance** - Very Good
- **Sound Level** - High
- **Clogging Potential** - Low
- **Splash Radius** - 1.5

**Material:** Machined cast bronze

**Finish:** Natural bronze

Model Number	Feet Meters	Spray Height									
		2	4	6	8	10	12	15	20	25	30
N-150	GPM	17	22	27	31	36					
	Head Ft.	11	19	25	32	38					
	Spread - Ft.	1	2	3	4	4.5					
	LPM	65	84	103	118	137					
	Bar	.329	.568	.747	.957	1.14					
	Spread - m	.30	.61	.91	1.22	1.37					
N-152	GPM		35	43	47	55	60	68			
	Head Ft.		13	20	25	30	36	44			
	Spread - Ft.		2	3	4	4.5	4.5	5			
	LPM		133	163	178	209	228	258			
	Bar		.389	.598	.747	.897	1.08	1.32			
	Spread - m		.61	.91	1.22	1.37	1.37	1.52			
N-154	GPM		110	132	155	170	182	205	225	240	255
	Head Ft.		16	23	30	37	46	57	74	90	110
	Spread - Ft.		2	3	4.5	5.5	6	7	8.5	10	11
	LPM		417	500	587	644	689	776	852	909	966
	Bar		.478	.688	.897	1.11	1.38	1.70	2.21	2.69	3.29
	Spread - m		.61	.91	1.22	1.68	1.83	2.13	2.59	3.05	3.35

Highlighted values denote optimum performance.

Model Number	NPT Inlet <sup>1</sup>	Dimensions			
		A Inches	B Inches	A mm	B mm
N-150	3/4"	6 3/4	3	172	76
N-152	1 1/2"	9	4	229	102
N-154	3"	17 1/2	8	445	203

1. To specify British Standard Pipe Threads, add suffix **-BSP** to Catalog Number.

Speaking the language of water.™

