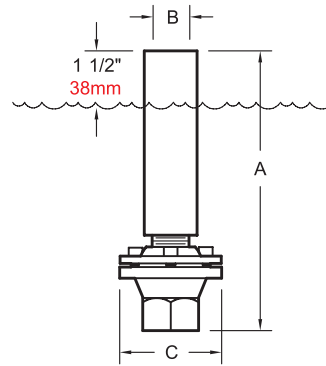


Foam Jet

Water Effect: The Foam Jet creates a foamy stream of water.

Performance Characteristics: The Foam Jet is a water level independent effect. To minimize clogging potential, an in-line Y-strainer with a #20 mesh is recommended.



- **Water Level Dependent** - No
- **Wind Resistance** - Good
- **Sound Level** - Moderate
- **Clogging Potential** - Moderate
- **Splash Radius** - 1.0

Material: Machined brass and cast bronze

Finish: Natural brass and bronze

Model Number	Feet Meters	Spray Height									
		1	2	3	4	5	6	8	10	12	
EAF-100X	GPM	7	9	11	12						
	Head Ft.	3	5	7	10						
	LPM	27	35	42	46						
	Bar	.090	.150	.209	.299						
EAF-150X	GPM	13	20	26	29	31	36				
	Head Ft.	3	6	10	13	15	19				
	LPM	50	76	99	110	118	137				
	Bar	.090	.179	.299	.389	.448	.568				
EAF-200X	GPM	21	31	36	44	50	53	56			
	Head Ft.	3	6	9	12	14	18	21			
	LPM	80	118	137	167	190	201	212			
	Bar	.090	.179	.269	.359	.419	.538	.628			
EAF-300X	GPM	39	59	66	77	88	96	112	127	138	
	Head Ft.	3	6	8	11	13	16	20	27	33	
	LPM	148	224	250	292	334	364	424	481	523	
	Bar	.090	.179	.239	.329	.389	.478	.598	.807	.986	

Highlighted values denote optimum performance.

Model Number	NPT ¹	Dimensions					
		A	B	C	A	B	C
		Inches	Inches	Inches	mm	mm	mm
EAF-100X	1/2"	8	1	2 3/4	203	25	70
EAF-150X	3/4"	10	1 3/4	3 1/2	254	44	89
EAF-200X	1"	10 1/4	2 1/4	4 1/2	260	57	114
EAF-300X	1 1/2"	13 1/4	3 1/4	6 1/4	337	83	159

1. To specify British Standard Pipe Threads, add suffix **-BSP** to Catalog Number

Speaking the language of water.™

