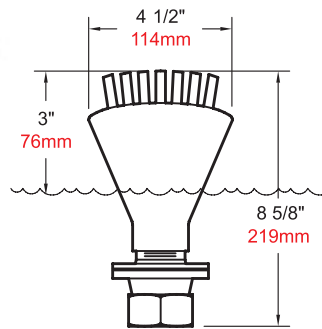


Finger Jet

Water Effect: Creates a fan shaped spray of solid streams of water.

Performance Characteristics: The Finger Jet has an integral adjustment swivel and uses multiple precision jets. An in-line Y-strainer is recommended to reduce maintenance.



- **Water Level Dependent** - No
- **Wind Resistance** - Fair
- **Sound Level** - Moderate
- **Clogging Potential** - Moderate
- **Splash Radius** - 1.5

Material: Machined cast bronze and brass

Finish: Natural bronze and brass

Model Number	NPT ¹	Degrees Above Horizontal	Throw Feet	Rise Feet	Spread Feet	GPM	Head Feet	Throw m	Rise m	Spread m	LPM	Bar
N-77	1 1/4"	45	5	2	4	20	5	1.5	.61	1.22	76	.150
			10	3	7	25	10	3.1	.91	2.1	95	.299
			15	4	10	30	15	4.6	1.22	3.1	114	.449

1. To specify British Standard Pipe Threads, add suffix **-BSP** to Catalog Number

Speaking the language of water.™

