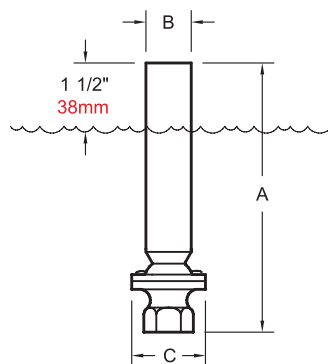


Dominator™

Water Effect: The unique Dominator™ nozzle creates an aerated stream of water.

Performance Characteristics: The Dominator™ is a water level independent effect.



- **Water Level Dependent** - No
- **Wind Resistance** - Good
- **Sound Level** - Moderate
- **Clogging Potential** - Low
- **Splash Radius** - 1.0

Material: Machined brass and cast bronze

Finish: Natural brass and bronze

Model Number	Feet Meters	Spray Height								
		3	4	5	6	8	10	15	20	25
EAD-075	GPM	7	8	9	10	12	15			
	Head Ft.	4.5	7	8	10.5	14	17.5			
	LPM	27	31	35	38	46	57			
	Bar	.135	.209	.239	.314	.419	.523			
EAD-100	GPM	11	14	17	20	25	30	38	46	
	Head Ft.	4.5	6	8	10.5	14	18.5	30	41.5	
	LPM	42	53	65	76	95	114	144	175	
	Bar	.135	.179	.239	.314	.419	.553	.897	1.24	
EAD-150	GPM		40	45	50	58	67	80	95	106
	Head Ft.		6	8	9	11.5	16	24.5	32	44
	LPM		152	171	190	220	254	303	360	402
	Bar		.179	.239	.269	.344	.478	.732	.957	1.32

Highlighted values denote optimum performance.

Model Number	NPT ¹	Dimensions					
		A Inches	B Inches	C Inches	A mm	B mm	C mm
EAD-075	3/4"	9	7/8	2 3/4	229	22	70
EAD-100	1"	10 1/2	1 1/4	2 3/4	267	32	70
EAD-150	1 1/2"	14 3/4	1 5/8	3 5/8	375	41	92

1. To specify British Standard Pipe Threads, add suffix **-BSP** to Catalog Number

Speaking the language of water.™

