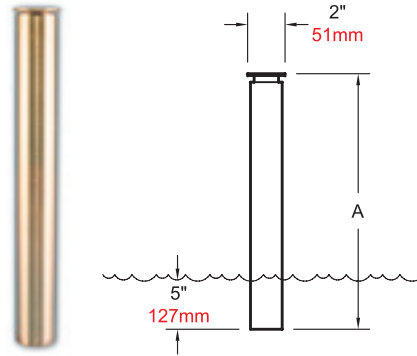
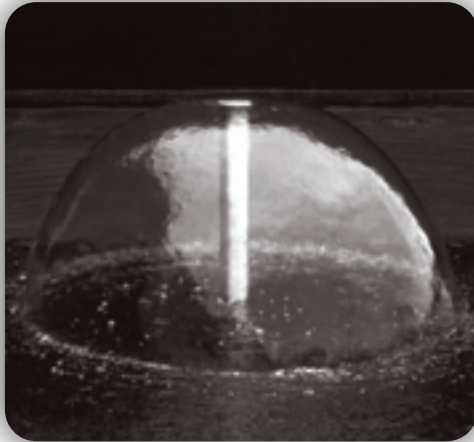


Crystal Dome

Water Effect: The Crystal Dome creates a clear sheet of water in the shape of a dome.

Performance Characteristics: The Crystal Dome is a fine sheet effect that is subject to wind distortion.



- **Water Level Dependent** - No
- **Wind Resistance** - Poor
- **Sound Level** - Low
- **Clogging Potential** - Moderate
- **Splash Radius** - 1.5

Material: Machined brass

Finish: Natural brass

Model Number	Height Inches	Spread Inches	GPM	Head Feet	Height m	Spread m	LPM	Bar
ESD-112A	12	20	7	3	.30	.51	27	.090
ESD-118A	18	28	9	4	.46	.71	35	.120
ESD-124A	24	36	13	5	.61	.91	50	.150

Model Number	Dimensions		
	NPT ¹	A Inches	A mm
ESD-112A	1"	17	432
ESD-118A	1"	23	584
ESD-124A	1"	29	737

1. To specify British Standard Pipe Threads, add suffix **-BSP** to Catalog Number

Speaking the language of water.™

