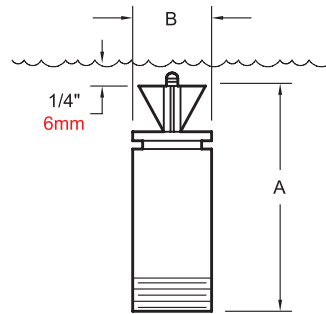


Chandelier™

Water Effect: Creates an ellipsoidal sphere of water droplets.

Performance Characteristics: The Chandelier™ is a water level dependent effect that requires a constant water level for proper operation. This nozzle is subject to wind. Allow extra area to capture splash or use a wind control device (see pg. 87).



- **Water Level Dependent** - Yes
- **Wind Resistance** - Poor
- **Sound Level** - Moderate
- **Clogging Potential** - Low
- **Splash Radius** - 2.0

Material: Machined cast bronze and brass

Finish: Natural bronze and brass

Model Number	Feet Meters	Spray Height							
		2	3	4	5	6	7	8	
NC-200	GPM	65	75	90	100	110	115	125	
	Head Ft.	3	4	6	7	8	9	11	
	Spread - Ft.	4	6	8	9	10	11	12	
	LPM	246	284	341	379	417	436	473	
	Bar	.090	.120	.179	.209	.239	.269	.329	
	Spread - m	1.22	1.83	2.44	2.74	3.05	3.35	3.66	

Highlighted values denote optimum performance.

Model Number	NPT Inlet ¹	Dimensions			
		A Inches	B Inches	A mm	B mm
NC-200	2"	7	2 ³ / ₈	178	60

1. To specify British Standard Pipe Threads, add suffix **-BSP** to Catalog Number

Speaking the language of water.™

