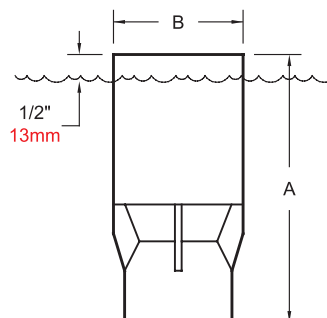


# Cascade



**Water Effect:** Creates a highly aerated cone of water.

**Performance Characteristics:** The Cascade is a water level dependent effect that is subject to creating wave action in a pool. When used in smaller or symmetrical pools, a wave baffle is recommended (see pg. 82).



- **Water Level Dependent** - Yes
- **Wind Resistance** - Very Good
- **Sound Level** - High
- **Clogging Potential** - Low
- **Splash Radius** - 1.5

**Material:** Machined brass

**Finish:** Natural brass

Model Number	Feet Meters	Spray Height								
		1	2	4	6	8	10	15	20	25
EAC-100B	GPM	15	21	29	37					
	Head Ft.	12	21	35	51					
	Spread - Ft.	.75	1	2	3					
	LPM	57	80	110	140					
	Bar	.359	.628	1.05	1.52					
	Spread - m	.23	.30	.61	.91					
EAC-150B	GPM			48	60	65	70			
	Head Ft.			36	55	62	71			
	Spread - Ft.			2	3	4	4.5			
	LPM			182	227	246	265			
	Bar			1.08	1.64	1.85	2.12			
	Spread - m			.61	.91	1.22	1.37			
EAC-200B	GPM			70	74	80	88	100		
	Head Ft.			21	29	37	45	55		
	Spread - Ft.			2	2.5	3	3.5	4.5		
	LPM			265	280	303	333	379		
	Bar			.628	.867	1.11	1.35	1.64		
	Spread - m			.61	.76	.91	1.07	1.37		
EAC-300B	GPM			110	127	142	162	190	220	240
	Head Ft.			14	19	28	37	53	72	80
	Spread - Ft.			2.5	2.75	3	3.5	5	8	11
	LPM			417	481	538	614	720	833	909
	Bar			.418	.568	.837	1.11	1.58	2.15	2.39
	Spread - m			.76	.84	.91	1.07	1.52	2.44	3.35

Highlighted values denote optimum performance.

Model Number	NPT Inlet <sup>1</sup>	Dimensions			
		A Inches	B Inches	A mm	B mm
EAC-100B	1"	6	2 <sup>1</sup> / <sub>4</sub>	152	57
EAC-150B	1 <sup>1</sup> / <sub>2</sub> "	7	3	178	76
EAC-200B	2"	8	4 <sup>1</sup> / <sub>4</sub>	203	108
EAC-300B	3"	9	5	229	127

1. To specify British Standard Pipe Threads, add suffix **-BSP** to Catalog Number.

Speaking the language of water.™

