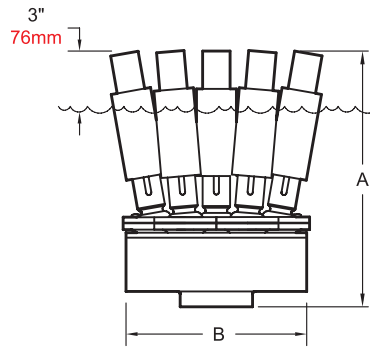
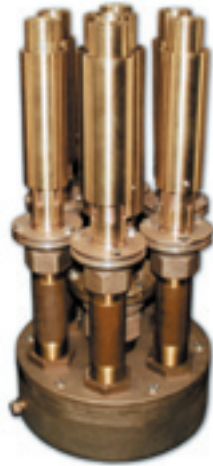


# Aerated Pod

**Water Effect:** Creates a highly aerated geyser of water.

**Performance Characteristics:** The Aerated Pod is a water level dependent effect that is subject to creating wave action in a pool. When used in smaller and symmetrical areas, a wave baffle is recommended (see pg. 82). Outer nozzles may be adjusted to create a large "fleur-de-lis" effect.



- **Water Level Dependent** - Yes
- **Wind Resistance** - Good
- **Sound Level** - High
- **Clogging Potential** - Low
- **Splash Radius** - 1.5 - 2.0

**Material:** Machined brass and cast bronze

**Finish:** Natural brass and bronze

Model Number	Feet Meters	Spray Height					
		10	20	30	40	50	60
N-355	GPM	164	215	260	285	315	
	Head Ft.	35	56	82	120	140	
	Spread - Ft.	20	28	35	40	44	
	LPM	621	814	985	1,079	1,193	
	Bar	1.05	1.67	2.45	3.59	4.19	
	Spread - m	6.10	8.53	10.7	12.2	13.4	
N-360	GPM	728	952	1099	1155	1211	1302
	Head Ft.	30	45	62	70	80	105
	Spread - Ft.	10	20	30	33	35	40
	LPM	2,756	3,604	4,161	4,373	4,585	4,929
	Bar	.897	1.35	1.85	2.09	2.39	3.14
	Spread - m	3.05	6.10	9.14	10.1	10.7	12.2
N-365	GPM	485	650	740	840	945	1095
	Head Ft.	30	45	62	80	105	135
	Spread - Ft.	10	20	30	35	40	45
	LPM	1,836	2,461	2,802	3,180	3,578	4,146
	Bar	.897	1.35	1.85	2.39	3.14	4.04
	Spread - m	3.05	6.10	9.14	10.7	12.2	13.7

Highlighted values denote optimum performance.

Model Number	NPT <sup>1</sup>	Qty. Nozzles	Dimensions			
			A Inches	B Inches	A mm	B mm
N-355	4"	7	20 <sup>1</sup> / <sub>2</sub>	10	521	254
N-360	6"	7	25 <sup>1</sup> / <sub>2</sub>	18	648	457
N-365	6"	17	25 <sup>1</sup> / <sub>2</sub>	18	648	457

1. To specify British Standard Pipe Threads, add suffix **-BSP** to Catalog Number

Speaking the language of water.™

