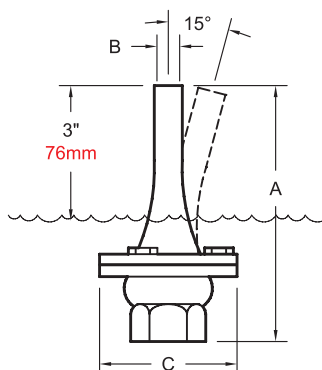


Smooth Bore

Water Effect: Creates a solid stream water effect with integral angular adjustability.

Performance Characteristics: The Adjustable Smooth Bore effect is a clear stream of water at lower pressures and heights and becomes more striated as pressure and height increase.



- **Water Level Dependent** - No
- **Wind Resistance** - Very Good
- **Sound Level** - Moderate
- **Clogging Potential** - Low
- **Splash Radius** - 1.0

Material: Machined cast bronze
Finish: Natural bronze

Model Number	Feet Meters	Spray Height							
		5	10	15	20	25	30	40	60
N-120	GPM	7	12	15	19				
	Head	8	14	20	27				
	LPM	27	46	57	72				
	Bar	.239	.419	.598	.807				
N-121	GPM	20	28	38	44	50	58		
	Head	8	14	20	27	35	42		
	LPM	76	106	144	167	190	220		
	Bar	.239	.419	.598	.807	1.05	1.26		
N-122	GPM	38	52	68	80	92	102	120	
	Head	8	14	20	27	35	42	55	
	LPM	144	197	258	303	349	387	455	
	Bar	.239	.419	.598	.807	1.05	1.26	1.64	
N-123	GPM	63	92	115	130	145	160	188	235
	Head	8	14	20	27	35	42	55	82
	LPM	239	349	436	493	549	606	712	890
	Bar	.239	.419	.598	.807	1.05	1.26	1.64	2.45

Highlighted values denote optimum performance.

Model Number	NPT ¹	Dimensions					
		A Inches	B Inches	C Inches	A mm	B mm	C mm
N-120	1"	5 ¹ / ₈	3 ³ / ₈	2 ³ / ₄	130	10	70
N-121	1 ¹ / ₂ "	6 ¹ / ₄	5 ⁵ / ₈	3 ⁵ / ₈	159	16	92
N-122	2"	7 ¹ / ₂	7 ⁷ / ₈	4 ¹ / ₂	191	22	114
N-123	3"	12 ¹ / ₂	1 ¹ / ₈	6 ¹ / ₈	318	29	156

1. To specify British Standard Pipe Threads, add suffix **-BSP** to Catalog Number

Speaking the language of water.™

