

# LNN-( )-ML(X)

## Underwater or Dry, Niche Mounted



20-75 Watts, 12 Volts

**Fixture Body:** Machined brass with brass cord compression seal.

**Wet Niche:** Stainless steel with integral waterstop flange, grounding lug, and 3/4" conduit hub.

**Wiring:** Furnished with twenty feet of 16-3 Type STOW submersible cord.

**Socket:** Bi-pin mount.

**Lamp:** Per chart. Supplied separately, add suffix **-LP** to catalog number to include lamp.

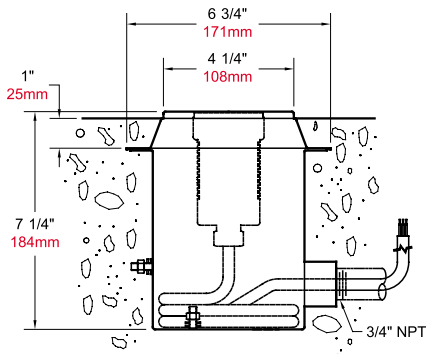
**Lens Gasket:** High temperature, Viton® O-ring.

**Lens:** Clear, flat, high temperature tempered glass.

**Safety:** Units through 50 watt size are Underwriters Laboratories Listed for both underwater and dry operation. 75 watt unit UL Listed for underwater application only.

**Optional:** For stainless steel rock guard add suffix **-RG** to catalog number.

**Optional:** Dichroic colored lenses - red, blue, green, amber, and turquoise available. Contact factory for custom colors.



Model Number	UL Max. Wattage Rating	Lamp Type	Watts	Volts	Lamp Life (Hours)
LNN-20-MLX	20	MR16	20	12	4000
LNN-35-MLX	35		35	12	4000
LNN-50-MLX	50		50	12	4000
LNN-75-ML	75		75	12	4000

Speaking the language of water.™

