

LLP-()-B

Underwater Freestanding



100-500 Watts, 120 Volts

Fixture Body: Cast bronze with brass cord compression seal.

Rock Guard: Cast bronze, elevated for ease of maintenance.

Mounting: Sleeve is black, schedule 40 fiberglass pipe. 15° angular adjustment on a 360° axis.

Reflector: Spun, polished stainless steel (not supplied with PAR38 versions).

Wiring: Furnished with ten feet of 16-3 Type STOW submersible cord; entry is totally encapsulated in an epoxy compound.

Socket: High temperature, mini-can screw base or porcelain medium screw base.

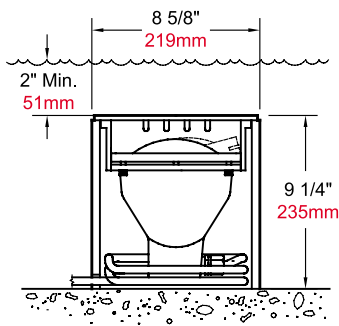
Lamp: Per chart. Supplied separately, add suffix **-LP** to catalog number to include lamp.

Lens Gasket: High temperature, single piece, molded silicone rubber.

Lens: Clear, convex, high temperature tempered glass.

Safety: Underwriters Laboratories Listed for underwater application. Supplied with an integral thermal cutoff device.

Optional: Colored lenses - red, blue, green, amber, and turquoise available.



Model Number	UL Max. Wattage Rating	Lamp Type	Watts	Volts	Lamp Life (Hours)
LLP-100PHB	100	PAR38	100	120	3000
LLP-116HB	116	A21	116	120	8000
LLP-150PHB	150	PAR38	150	130	5000
LLP-250HB	250	T4	250	130	2000
LLP-250PHB	250	PAR38	250	130	4000
LLP-500HB	500	T4	500	130	2000

Speaking the language of water.™

