

# LLN-( )BX

## Adjustable Underwater or Dry, Niche Mounted



100-150 Watts, 120 Volts

**Fixture Body:** Cast bronze with brass cord compression seal.

**Rock Guard:** Cast bronze, elevated for ease of maintenance.

**Wet Niche:** Stainless steel with integral waterstop flange, grounding lug, and conduit hub with 15° angular adjustment on a 360° axis.

**Wiring:** Furnished with twenty feet of 16-3 Type STOW submersible cord; entry is totally encapsulated in an epoxy compound.

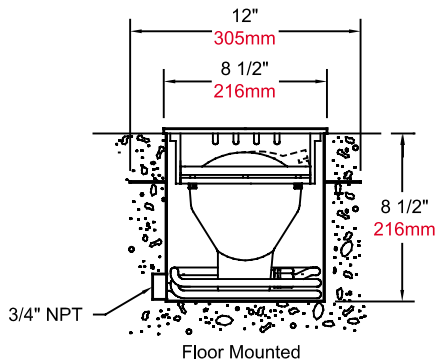
**Socket:** Screw terminal.

**Lamp:** Per chart. Supplied separately, add suffix **-LP** to catalog number to include lamp.

**Lens Gasket:** High temperature, single piece, molded silicone rubber.

**Lens:** Clear, convex, high temperature tempered glass. *Not available with colored lenses.*

**Safety:** Underwriters Laboratories Listed for both underwater and dry use.



Model Number	UL Max. Wattage Rating	Lamp Type	Watts	Volts	Lamp Life (Hours)
LLN-100PHBAX	100	PAR38	100	120	3000
LLN-150PHBAX	150		150	130	5000

Speaking the language of water.™

