

LLN-()A

Adjustable Underwater Wet Niche

Fixture Body: Cast bronze with brass cord compression seal.

Rock Guard: Cast bronze, elevated for ease of maintenance.

Wet Niche: Stainless steel with integral waterstop flange, grounding lug, and conduit hub with 15° angular adjustment on a 360° axis.

Reflector: Stamped, polished stainless steel.

Wiring: Furnished with twenty feet of 16-3 Type STOW submersible cord; entry is totally encapsulated in an epoxy compound.

Socket: High temperature, mini-can screw base.

Lamp: Per chart. Supplied separately, add suffix **-LP** to catalog number to include lamp.

Lens Gasket: High temperature, single piece, molded silicone rubber.

Lens: Clear, convex, high temperature tempered glass.

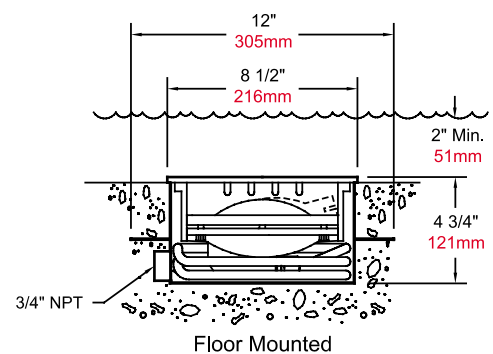
Safety: Underwriters Laboratories Listed for underwater application. Supplied with an integral thermal cutoff device.

Optional: Colored lenses - red, blue, green, amber, and turquoise available.



100-500 Watts, 120 Volts
100 Watts, 12 Volts

Model Number	UL Max. Wattage Rating	Lamp Type	Watts	Volts	Lamp Life (Hours)
LLN-100LA	100	T4	100	12	1000
LLN-100HA	100		100	130	2000
LLN-150HA	150		150	130	2000
LLN-250HA	250		250	130	2000
LLN-500HA	500		500	130	2000



Speaking the language of water.™

