

# JP-55-3/4

## Deck Mounted Junction Box

**Construction:** Cast bronze with stainless steel fasteners.

**Grounding:** Internal grounding lug for each fixture.

**Gasket:** Black neoprene rubber.

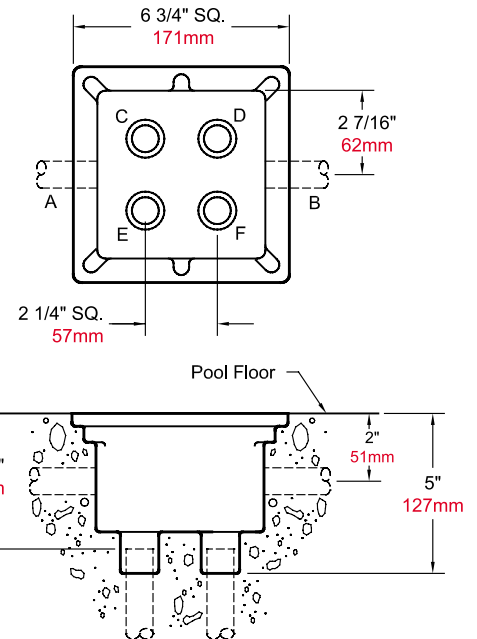
**Strain Relief:** Factory installed, machined brass, compression type, for 16-3 or 10-3 type STOW cord.

**Safety:** Underwriters Laboratories Listed for both dry and underwater applications.



Model Number	A	B	C	D	E	F
JP-55-3	1/2" (3/4")	1/2" (3/4")	1/2"	1/2"	1/2"	1/2"
JP-55-4	3/4" (1")	3/4" (1")	3/4"	3/4"	3/4"	3/4"

Designate location and size for bottom and side conduit penetrations when ordering JP-55-(-3/4) series junction box.



Speaking the language of water.™

