

F-1035LV

Low Voltage Underwater Freestanding

Fixture Body: Cast bronze with brass cord compression seal.

Rock Guard: Cast bronze, integral to face ring.

Yoke/Base: Cast bronze with red brass riser. 90° angular adjustment on a 360° axis.

Wiring: Furnished with ten feet of 10-3 Type STOW submersible cord; entry is totally encapsulated in an epoxy compound.

Socket: Screw terminal.

Lamp: Per chart. Supplied separately, add suffix **-LP** to catalog number to include lamp.

Lens Gasket: High temperature, single piece, molded silicone rubber.

Lens: Clear, convex, high temperature tempered glass.

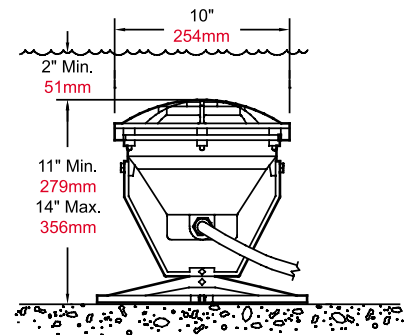
Safety: Underwriters Laboratories Listed for underwater application.

Optional: Colored lenses - red, blue, green, amber, and turquoise available.



300 Watts, 12 Volts

Model Number	UL Max. Wattage Rating	Lamp Type	Watts	Volts	Lamp Life (Hours)
F-1035-LV	300	PAR56	300	12	1000



Speaking the language of water.™

