

F-1035AN-()

Adjustable Underwater Wet Niche



300-1000 Watts, 120 Volts

Fixture Body: Cast bronze with brass cord compression seal.

Rock Guard: Cast bronze, integral to face ring.

Wet Niche: Spun copper with grounding lug and conduit hub with a 15° angular adjustment on a 360° axis.

Wiring: Furnished with twenty feet of 16-3 Type STOW submersible cord; entry is totally encapsulated in an epoxy compound.

Socket: High temperature, mogul end prong.

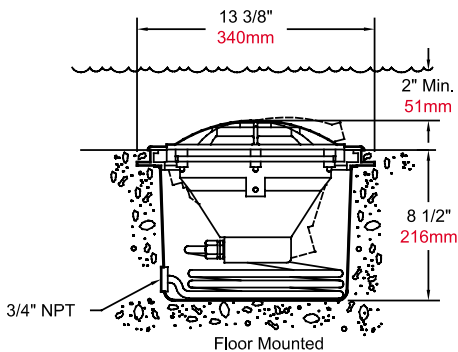
Lamp: Per chart. Supplied separately, add suffix **-LP** to catalog number to include lamp.

Lens Gasket: High temperature, single piece, molded silicone rubber.

Lens: Clear, convex, high temperature tempered glass.

Safety: Underwriters Laboratories Listed for underwater application. Supplied with an integral thermal cutoff device.

Optional: Colored lenses - red, blue, green, amber, and turquoise available.



Model Number	UL Max. Wattage Rating	Lamp Type	Watts	Volts	Lamp Life (Hours)
F-1035AN-300	300	PAR56	300	120	2000
F-1035AN-500	500		500	120	4000
F-1035AN-1000	1000	PAR64	1000	120	4000

Speaking the language of water.™

