

# F-1035AN-LV

## Adjustable Underwater Wet Niche

**Fixture Body:** Cast bronze with brass cord compression seal.

**Rock Guard:** Cast bronze, integral to face ring.

**Wet Niche:** Spun copper with grounding lug and conduit hub; 15° angular adjustment on a 360° axis.

**Wiring:** Furnished with twenty feet of 10-3 Type STOW submersible cord; entry is totally encapsulated in an epoxy compound.

**Socket:** Screw terminal.

**Lamp:** Per chart. Supplied separately, add suffix **-LP** to catalog number to include lamp.

**Lens Gasket:** High temperature, single piece, molded silicone rubber.

**Lens:** Clear, convex, high temperature tempered glass.

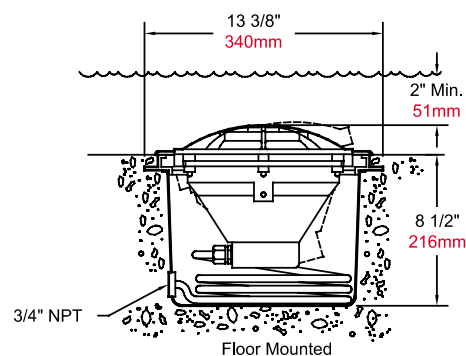
**Safety:** Underwriters Laboratories Listed for underwater application.

**Optional:** Colored lenses - red, blue, green, amber, and turquoise available.



300 Watts, 12 Volts

Model Number	UL Max. Wattage Rating	Lamp Type	Watts	Volts	Lamp Life (Hours)
F-1035AN-LV	300	PAR56	300	12	1000



Speaking the language of water.™

