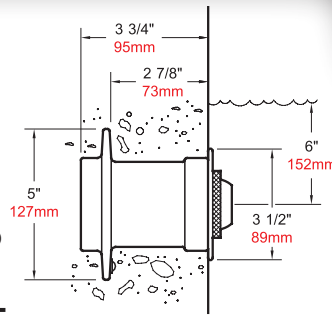


Adjustable Eyeball Inlet Fitting

- Designed to direct debris to skimmers and to improve water circulation.
- Cast bronze with natural finish.
- Integral waterstop with ground screw.
- Available with British Standard Pipe Threads, add **-BSP** to catalog number.

Model Number	NPT	Minimum Flow Rate		Maximum Flow Rate	
		GPM	LPM	GPM	LPM
FES-200	2"	10	38	30	114



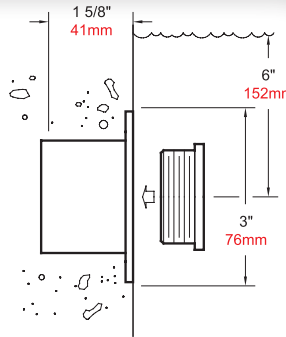
FES-200



Vacuum Fitting

- Designed for use with standard 1 1/2" vacuum hose.
- Cast bronze with natural finish.
- Removable bronze plug.
- Ground screw.

Model Number	NPT	Maximum Flow Rate	
		GPM	LPM
R-86B	1 1/2"	40	151



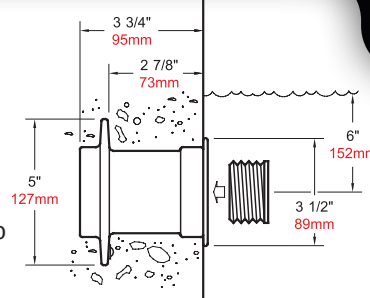
R-86B



Vacuum Fitting

- Designed for use with standard 1 1/2" vacuum hose.
- Cast bronze with natural finish.
- Removable bronze plug.
- Integral waterstop with ground screw.
- Available with British Standard Pipe Threads, add **-BSP** to catalog number.

Model Number	NPT	Maximum Flow Rate	
		GPM	LPM
FEV-200	2"	50	189



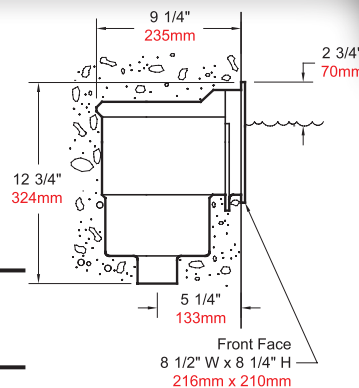
FEV-200



Front Access Skimmer

- Heavy-duty Cyclolac® construction.
- Floating weir, removable trash basket, and throttling plate.
- Cast bronze face plate with natural finish.

Model Number	Sip Fit	Minimum Flow Rate		Maximum Flow Rate	
		GPM	LPM	GPM	LPM
R-30B	1 1/2"	10	38	30	114



R-30B

